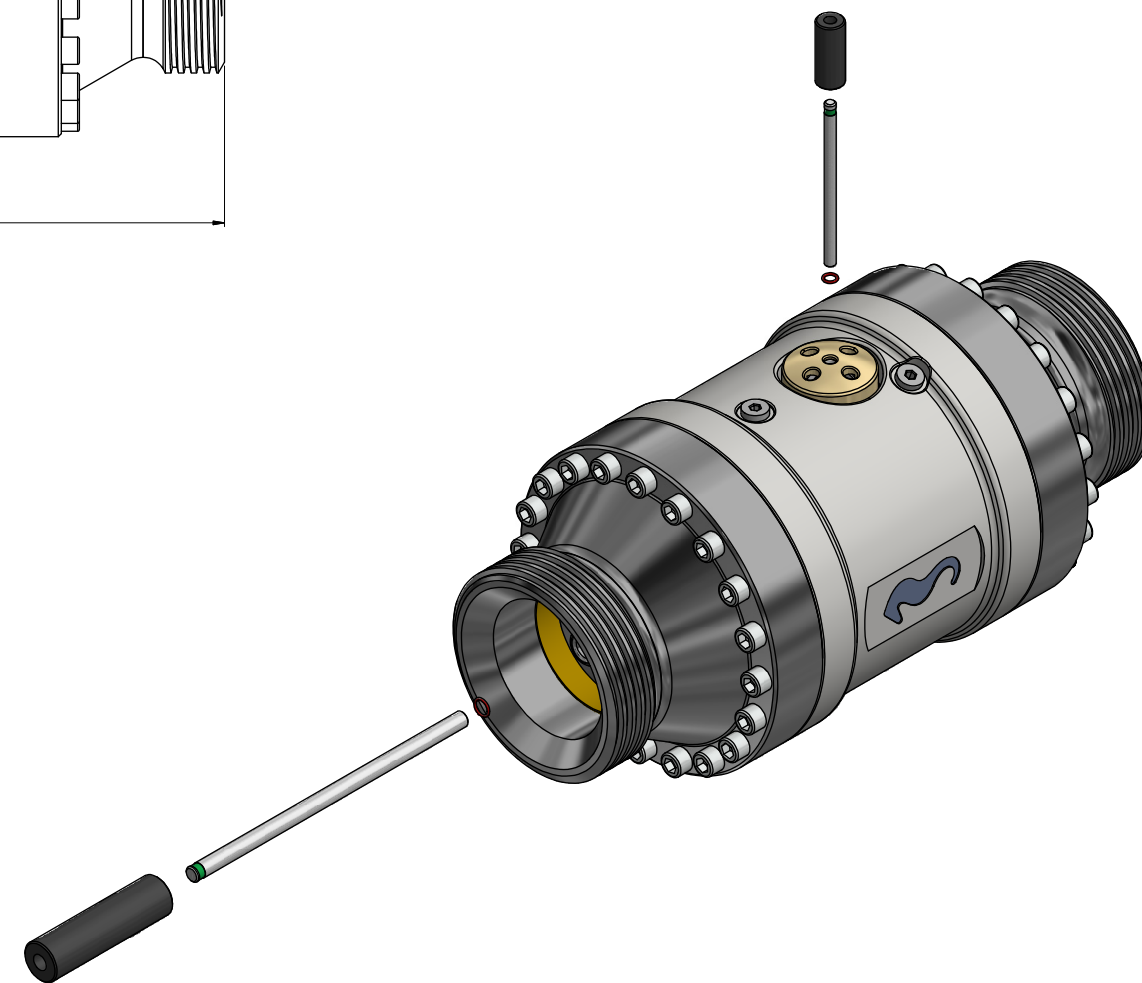
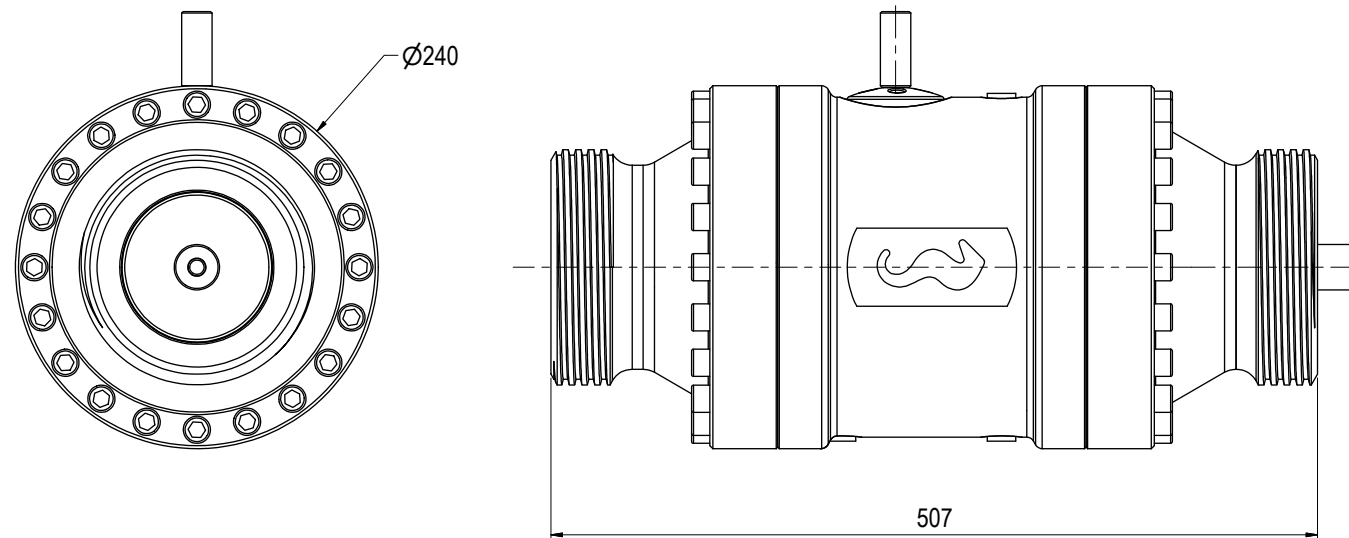


NOTE: 1  
 DESIGN CODE:  
 N/A

NOTE: 2  
 TECHNICAL CLASSIFICATION:  
 Article Type: 007-Valves  
 Main Group: 7.1. One Way Valves  
 Intermediate Group: 7.39.10. 4"  
 Sub Group: 7.39.211.4 Pressure Regulating

NOTE: 3  
 INTERFACE INFORMATION:  
 Pressure Rating Bar: N/A  
 Material: Intervention  
 Weight: 86,9 kg  
 Volume: 11301,7 cm<sup>3</sup>  
 Surface Area: 18539 cm<sup>2</sup>  
 Hydraulic: 4" Weco 206  
 Mechanical: N/A  
 Electrical: N/A  
 Com. & Protocol: N/A



Rev.	Date	Reason for issue	Revision change	Made	Chk'd	Appr.
01	15.5.2015	3-IFI (Issued for Information)		WTJ	N/A	N/A



Dwg Scale:  
 NTS  
 Dwg Proj:

Drawing title:  
 Surplus valve, 4" 206 Weco Int. wOperation Tools

Dwg Format:  
 A3

Drawing number:  
 BA6646

Rev.  
 01